



PSV Valves

CHECK VALVES & DIVERTER VALVES

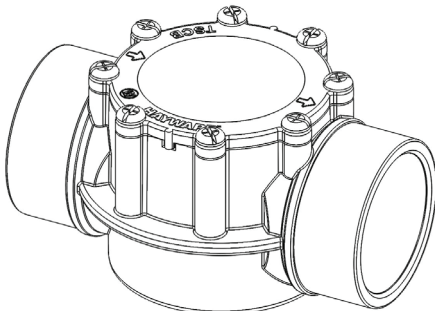
Easy and maintenance-free with Hayward® PSV.

Hayward PSV Series check valves and 2-way and 3-way diverter valves make water flow management simple and maintenance free. Durable CPVC body and lid construction provide greater heat tolerance, preventing warping and leaks in the most demanding environments. All components are made of corrosion resistant materials allowing for improved performance over an extended life. PSV Series valves are available in multiple materials, size and port configurations to accommodate most new construction and aftermarket applications.

PSV3SM and PSV3SMDGR models feature externally threaded ports for use with one SP1500UNPAK1 union fitting included with each valve.



PSV Check Valve



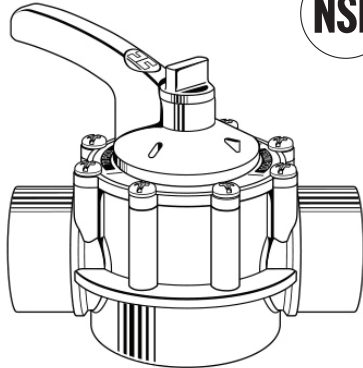
PSV Check Valve

PSV Check Valves

PSV CHECK VALVE BUYING GUIDE					
Model Number	Description	Pipe Size	Material	Ctn. Qty.	Ctn. Weight
PSCV2S	Check Valve	1 1/2" x 2"	CPVC	20	35 lbs.
PSCV2S2	Check Valve	2" x 2 1/2"	CPVC	20	38 lbs.
PSCV2SDGR	Check Valve	1 1/2" x 2"	PVC	20	35 lbs.
PSCV2S2DGR	Check Valve	2" x 2 1/2"	PVC	20	38 lbs.



2-way PSV Valve



PSV2



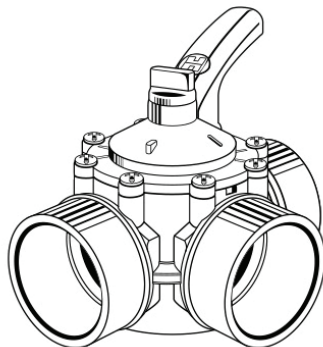
PSV 2-way Diverters

PSV DIVERTER VALVE BUYING GUIDE

Model Number	Description	Pipe Size	Material	Ctn. Qty.	Ctn. Weight
PSV2S	2-way	1 1/2" – 2"	CPVC	20	35 lbs.
PSV2S2	2-way	2" – 2 1/2"	CPVC	20	38 lbs.
PSV2SDGR	2-way	1 1/2" – 2"	PVC	20	35 lbs.
PSV2S2DGR	2-way	2" – 2 1/2"	PVC	20	38 lbs.



3-way PSV Valve



PSV3



PSV 3-way Diverters

PSV DIVERTER VALVE BUYING GUIDE

Model Number	Description	Pipe Size	Material	Ctn. Qty.	Ctn. Weight
PSV3S	3-way	1 1/2" – 2"	CPVC	20	38 lbs.
PSV3S2	3-way	2" – 2 1/2"	CPVC	20	40 lbs.
PSV3SM	3-way	External Union Thread	CPVC	20	47 lbs.
PSV3SDGR	3-way	1 1/2" – 2"	PVC	20	38 lbs.
PSV3S2DGR	3-way	2" – 2 1/2"	PVC	20	40 lbs.
PSV3SMDGR	3-way	External Union Thread	PVC	20	47 lbs.

To take a closer look at PSV Valves or other Hayward products, go to hayward.com or call 1-888-HAYWARD.



HAYWARD[®]

620 Division Street | Elizabeth, NJ 07201